

McCULLOCH[®]

PARTNER

ILLUSTRATED PARTS LIST

ELITE 3900 PRO

ELITE 4000 - 4100 - 4100 PRO

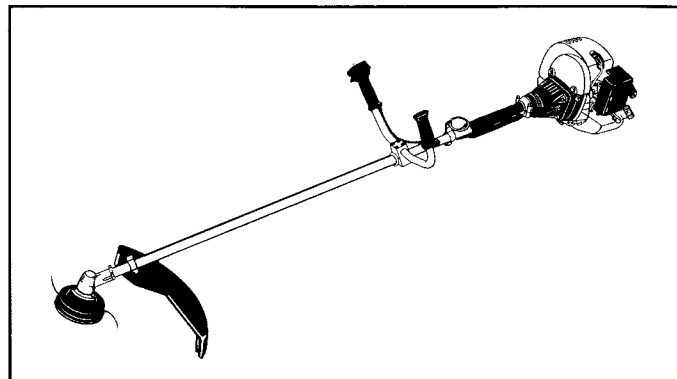
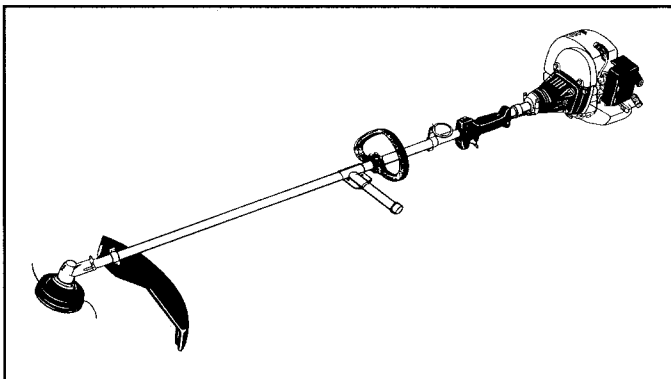
ELITE 4600 - 4700 - 4700 PRO

PARTNER B400 - B470 - B460

PARTNER B3100 - B4100 PRO - B4700 PRO

SERIAL NUMBER PREFIX 01-02

CE



March 2000

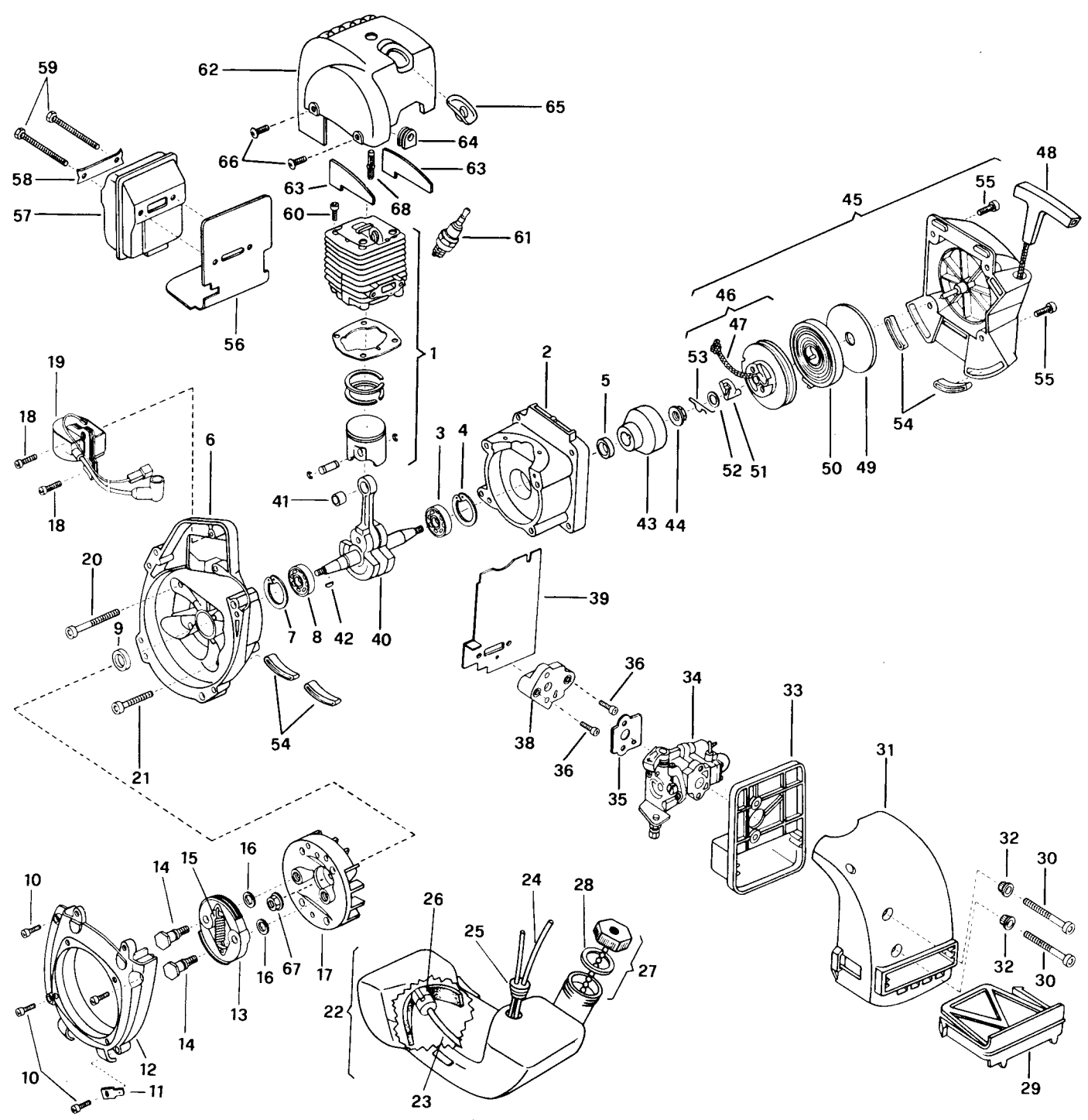


FIGURE 1

C	1	FIGURE 3	21	235804	M5x30	2	C	41	241267	46cc	1	C	57	241432	1	
	2	247936		241541		1		42	235742	38-40cc	1		58	227236	1	
	3	● 235900	B	23	● 229809	1	C	43	227329	46cc	1		59	● 227274	M5x60	2
	4	● 235899	B	24	● 229743	1	C	44	227631		1		60	227565	M5x25	4
C	5	● 228872	C	25	● 235675	1		49	241223		1	A	61	92879		1
	6	247935	A	26	240452	1		50	235218		1		62	241187	yellow/gallic/zaune/gelt (38-40cc)	1
	7	● 235899	B	27	236563	1	C	55	241283	black/nero/nor/schwarz	1			241430	yellow/gallic/zaune/gelt (46cc)	1
	8	● 235900	A	28	● 236564	1	C	56	241834	gold/oro/ori/gold	1			241829	gold/oro/ori/gold (38-40cc)	1
C	9	● 228872	B	29	241213	1		59	241834	gold/oro/ori/gold	1			241981	gold/oro/ori/gold (46cc)	1
	10	235806	30	235808	M5x50	1	B	46	● 227194		1			241416	38-40cc	2
	11	228139	31	241477	yellow/gallic/zaune/gelt	1	A	47	● 227703		1		63	241416	38-40cc	2
	12	241279		241589	gold/oro/ori/gold	1		48	● 240884		1		64	236322		1
B	13	247937	32	● 227924		2		49	● 227467		1		65	241241		1
	14	● 241269		241211		1	B	50	● 227300		1		66	240688	M5x14	2
C	15	● 241270	C	34	FIGURE 5		B	51	● 227470		1		67	235218		1
	16	● 236956	A	35	241281	1		52	● 240485		1		68	94273	46cc	1
	17	241240	36	235806	M5x20	2		53	● 240485		1					
	18	235806	C	38	241481	1		54	241248		4					
C	19	241298	C	39	241428	1		55	236527	M6x16	4					
	20	235808	C	40	241266	38-40cc	1	C	56	241280	38-40cc	1				
							C		241414	46cc	1					

A = high moving - alta rotazione - haute demande - große Nachfrage B = medium moving - media rotazione - moyenne demande - mittelmäßige Nachfrage C = slow moving - bassa rotazione - basse demande - wenige Nachfrage

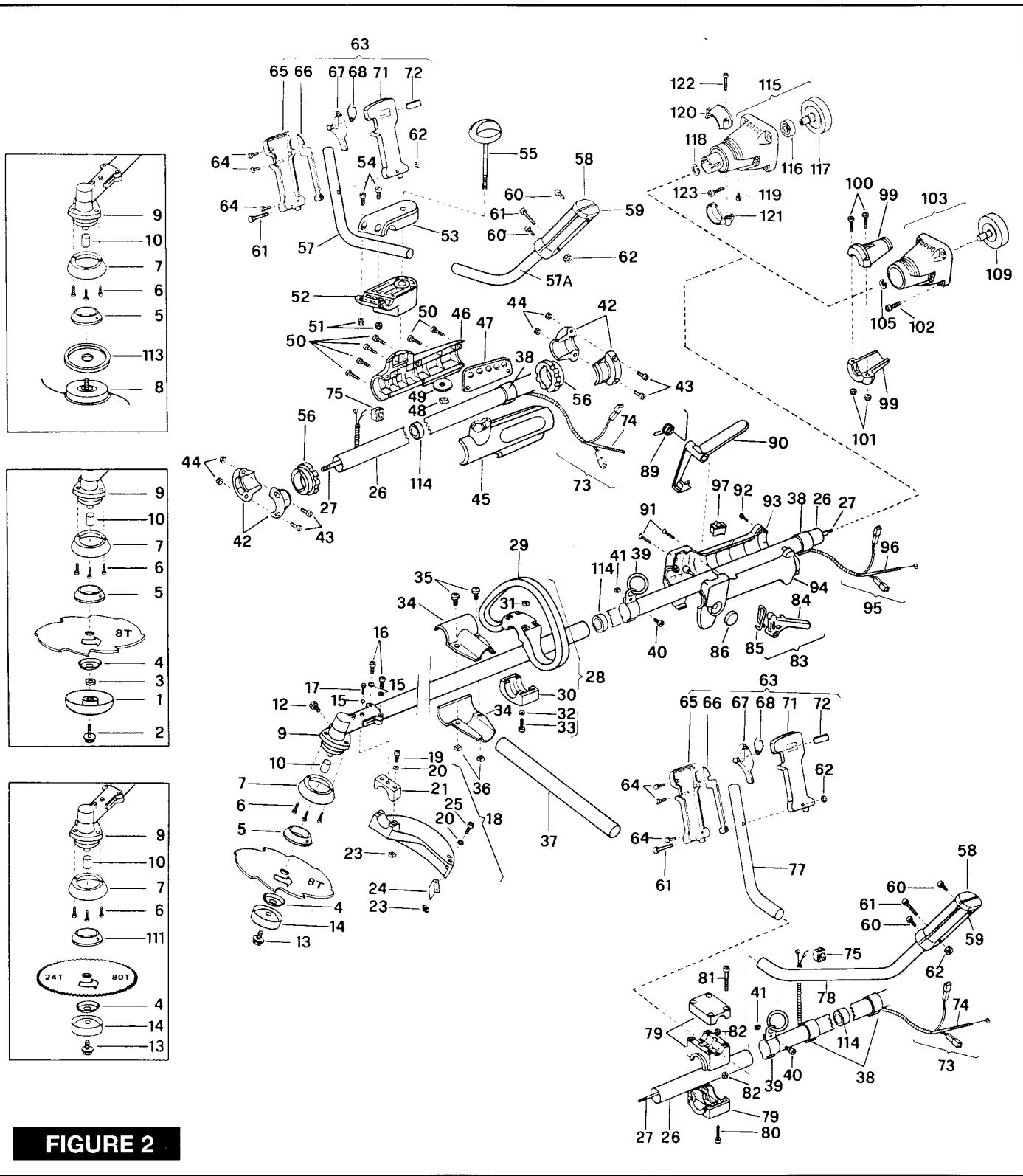


FIGURE 2

A 1	240809	1	24	● 224497-01	1	45	240942 yellow/gills/ame.gelt	1	63	241406	1	86	● 241297	1
A 2	● 240806	1	25	● 235802 M5x14	2	46	241742 gold/oro/ori/gold	1	64	● 240833	5	89	● 240043	1
A 3	● 240807	1	26	240830	1	47	240941 yellow/gills/ame.gelt	1	65	● 241293	1	90	● 240041	1
A 4	229834	1	27	229829	4	48	241742 gold/oro/ori/gold	1	66	● 229820	1	91	● 240617	2
A 5	229833	1	28	236999	1	49	240966	1	67	● 241295	1	92	● 240618	4
A 6	240688 M5x14	3	29	● 236808	1	50	241003	1	68	● 240091	1	93	● 240039	1
B 7	240767	1	30	● 236809	1	51	241004	1	69	● 241294	1	94	● 240040	1
A 8	FIGURE 4		31	● 236642	4	52	241002	6	70	● 241292	1	C 95	● 241440	1
9	240824	1	32	● 236936	4	53	235216	2	71	● 241292	1	C 96	● 241441	1
10	● 247272	1	33	● 228320 M6x45	4	54	240967	1	72	● 241410	1	C 97	● 236394	1
12	● 240151 M8x10	1	34	240682	2	55	240968	1	C 73	● 241424	1	99	240935	2
A 13	229842 M10x16	1	35	235911 M6x12	2	56	240968	1	C 74	● 236394	1	100	235530 M5x35	2
A 14	236596	1	36	236642	2	57	227563 M5x16	2	77	229831	1	101	229208	2
15	236529	3	37	246864	1	58	240971	1	78	229832	1	102	236527 M6x16	4
16	235804 M5x30	2	38	229849	2	59	240970	2	79	240017	1	103	240905 38cc	1
17	236381 M5x10	1	39	236602	1	60	241971	1	80	● 235921 M6x30	2	A111	240936	1
B 18	247209	1	40	235911 M6x12	1	61	241972	1	81	● 236558 M6x40	4	113	241155	1
19	● 235806 M5x20	2	41	236642	1	62	229985	1	82	● 235912	6	114	236383	5
20	● 235248	4	42	240969	4		229984	1	83	241439	1			
21	● 240870	1	43	227563 M5x16	4		240833	2	84	● 240042	1			
23	● 236732	4	44	235216	4		235804 M5x30	2	85	● 235932	1			

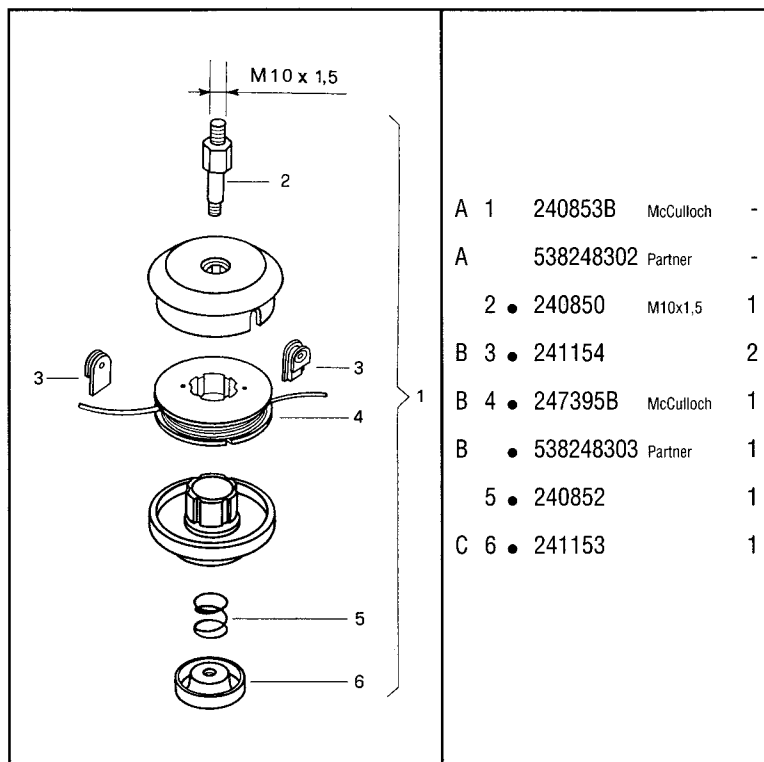
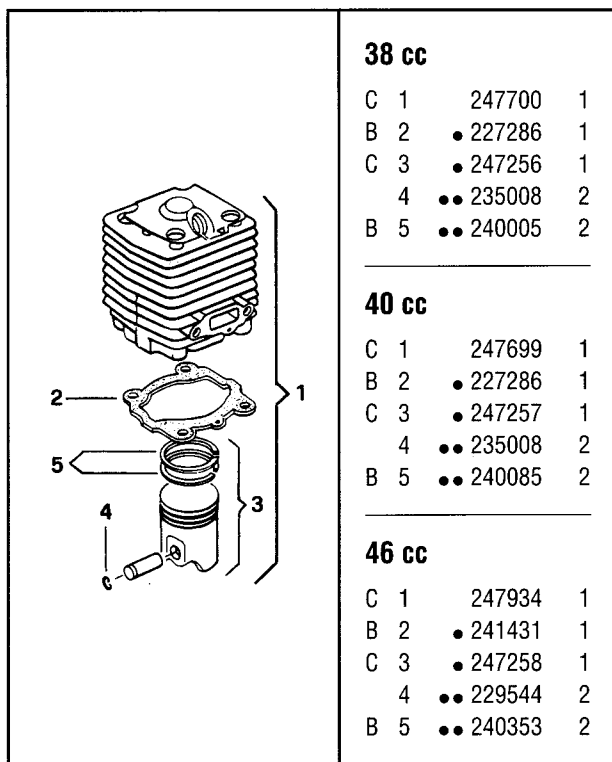
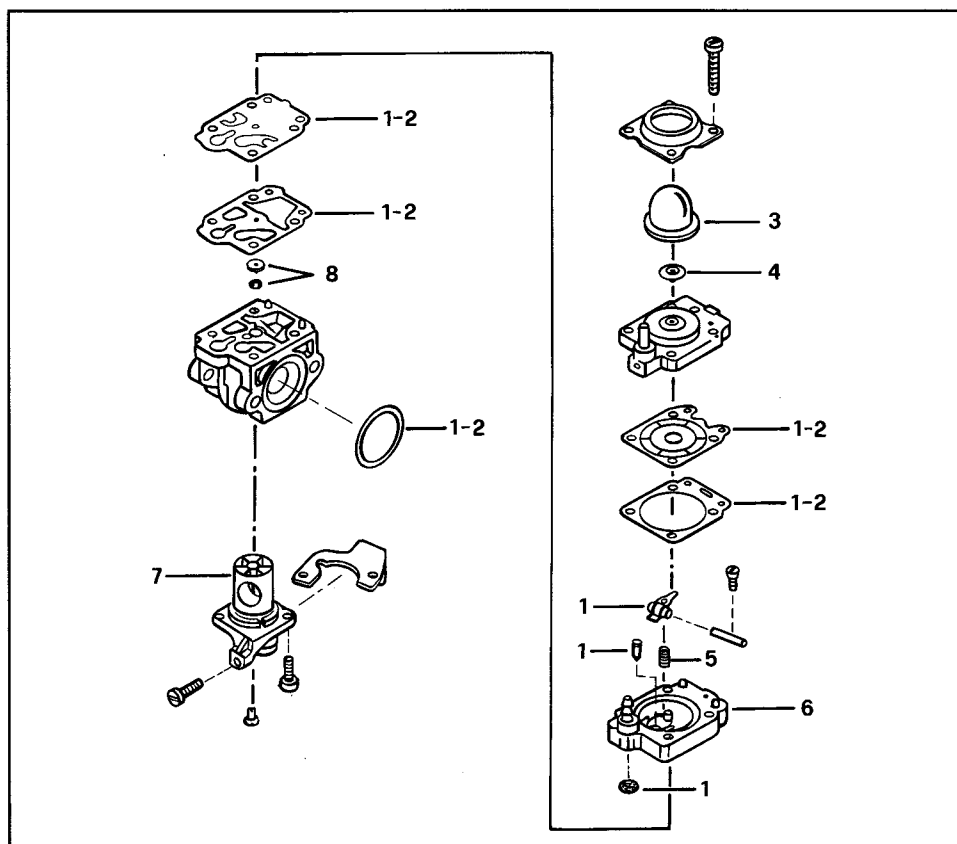


FIGURE 3

FIGURE 4



WALBRO WYJ 183A (38-40 cc)

C -	241268	carbur.
B 1	● 247955	1
A 2	●● 247956	1
C 3	● 225834	1
C 4	● 247957	1
C 5	● 247958	1
C 6	● 247962	1
C 7	● 247961	1
C 8	● 247959 (43)	1

WALBRO WYJ 208 (46 cc)

C -	241476	carbur.
B 1	● 247955	1
A 2	●● 247956	1
C 3	● 225834	1
C 4	● 247957	1
C 5	● 247958	1
C 6	● 247962	1
C 7	● 247961	1
C 8	● 247960 (46)	1

FIGURE 5

A = high moving - alta rotazione - haute demande - große Nachfrage
 B = medium moving - media rotazione - moyenne demande - mittelmäßige Nachfrage
 C = slow moving - bassa rotazione - basse demande - wenige Nachfrage